



OYSTER BATH CONCEPTS PVT. LTD

HEAD OFFICE:

Corporate Office: D-73, Okhla Industrial Area, Phase - 1, New Delhi - 110020

Tel: 011-45729000 | Toll Free No: 1800-102-8999 | CIN No: U74899DL1993PTC052202

Email: [info@oysterlifestyle.com](mailto:info@oysterlifestyle.com)

Regional Office:

Bangalore: 499 East End Main Road, 9th Block, East Jayanagar, Bangalore-560069

Tel: 080-26645448, 26645447 | Mob: +91 8884421000 | Email: [bangalore@oysterlifestyle.com](mailto:bangalore@oysterlifestyle.com)

Kolkata: AA-47, 2nd Floor, Salt Lake, Kolkata-700064

Mob: +91 8697980112 | Email: [kolkata@oysterlifestyle.com](mailto:kolkata@oysterlifestyle.com)

Mumbai: 31-F Laxmi Industrial Estate, Road No. 1, Off Link Road, Andheri West,

Mumbai: -400053, Mob: +91 9350597704, +91 8879088901, +91 8879088905

Email: [mumbaicare@oysterlifestyle.com](mailto:mumbaicare@oysterlifestyle.com)

Chennai: New No 30/19, Dr Ambedkar Road, Kodambakkam, Opposite to HDFC

Bank, Chennai-600024 Mob: +91 8939022291

Hyderabad: Mob: +91 8142045890



**Exquisiteness**  
OF A BEACH WELLNESS OF WATER

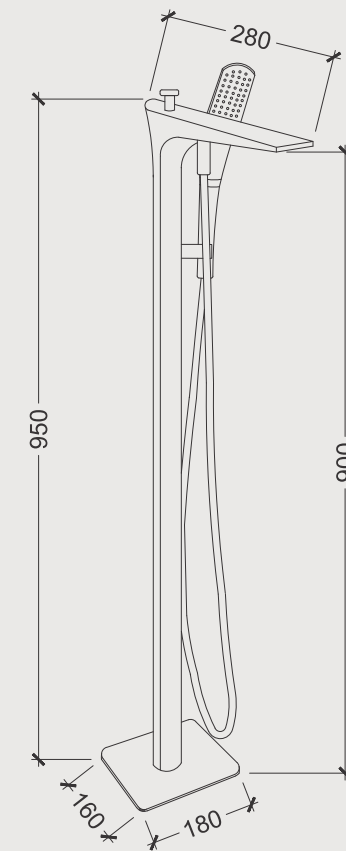
# Luxury BATHTUBS

Innovation to  
Rediscover the  
Realm of Wellness

Through extensive R&D and with the proper understanding of water's healing properties, Oyster has created a series of bathtubs which are pools of liquid luxury. By introducing multiple breakthrough technologies in its bathtub range, Oyster has set a benchmark for the industry.

Oyster<sup>®</sup>  
LifeStyle

[www.oysterlifestyle.com](http://www.oysterlifestyle.com)



DRAWING & PRE-INSTALLATION

## MOLTONIC

**FLOOR MOUNTED TUB FILLER WITH  
ROUND HAND SHOWER**

### FEATURES

- Mirror finish brass surface
- Hand shower with flexible hose



# GRANDEUR



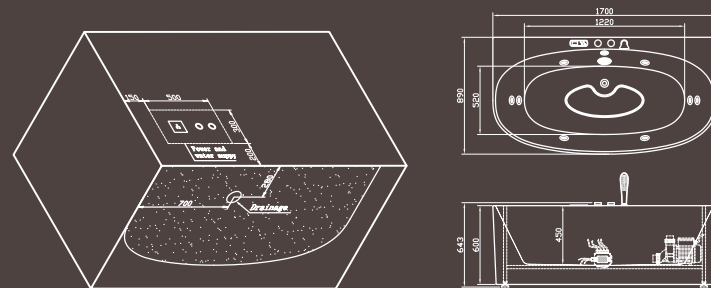
## FEATURES

- Whirlpool massage controlled by 1HP pump ( 6 jets)
- LED control panel
- Encircled seamless underwater light
- Bluetooth
- Waterfall intake
- Leakage protection
- Water shortage protection
- 3 skirts with bubble bath

## SIZE

• 1700 x 880 x 600 MM

## DRAWING & PRE-INSTALLATION



# AFFINITY



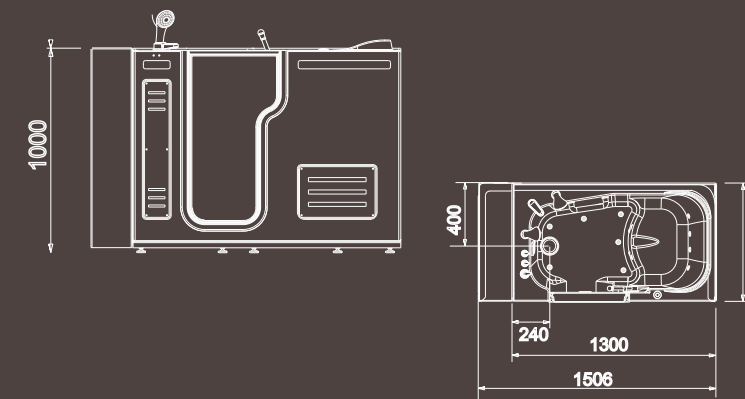
## FEATURES

- Walk-in Bathtub with whirlpool bath
- Acrylic shell-- Fiberglass Reinforced
- Door with Lock
- 2 Grab Bars and Door handle
- Water Massage with 12 Jets
- Pneumatic on/off Switch
- Handheld Shower
- Faucet System
- Water Pump 2.25 kw
- Temperature Control
- 2 Shelves with Bar
- 1 Head Rest
- Drain with Handle Lever
- Slip Resistant Bottom

## SIZE

• 1300 x 750 x 1000 MM

## DRAWING & PRE-INSTALLATION





# DOVER



## FEATURES

- Rectangular Built-In Acrylic Whirlpool Bathtub with Stainless steel soft massage jet at bottom
- Two Sides Waterfall
- 8 Pcs Hydro Massage Jets and 8 Soft Massage Jet, Made in Europe hydro massage jets
- Induction Type Motion Sensor
- Waterfall Power Adjustable 1.5 hp Highly Efficient Motor
- Multipurpose automatic popup waste with filler and overflow function
- Electronic Control for Waterfall
- Touch Screen Control Panel
- Chromotherapy Light
- Auto Sense Hidden Diverter and Hand Shower with Decorative LED Light

- Food grade piping for whirlpool
- Hand shower mixer diverter

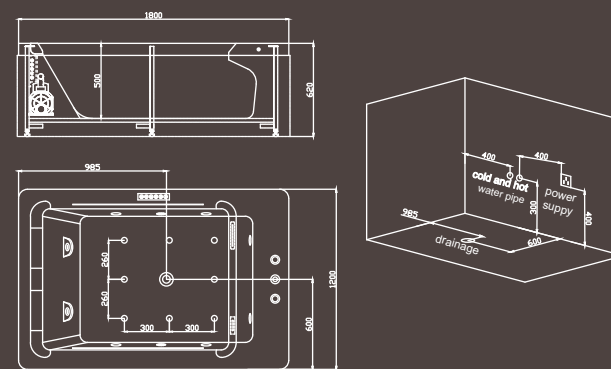
## SAFETY FUNCTION

- Dry Burning Protection .
- Earth Leakage Circuit Breaker
- Water Level Sensor

## SIZE

- **1800 x 1200 x 640 MM**

## DRAWING & PRE-INSTALLATION



# VIGUOR



## FEATURES

- Rectangular Built-In Acrylic Whirlpool Bathtub with Lounger and SS frame
- 2 hp Pump for Hydro Massage
- 300 W Air Massage Pump
- 8 Hydromassage Jets and 10 Air Massage Jets with Chromo- therapy Light
- 1 Side Waterfall with Integrated Light
- Electronic Touchpad Control Panel
- Diverter, Mixer with Pop-up Hand Shower
- 1 Pc Lounger Pillow
- 2 Head Rest
- Automatic Pop-up Waste

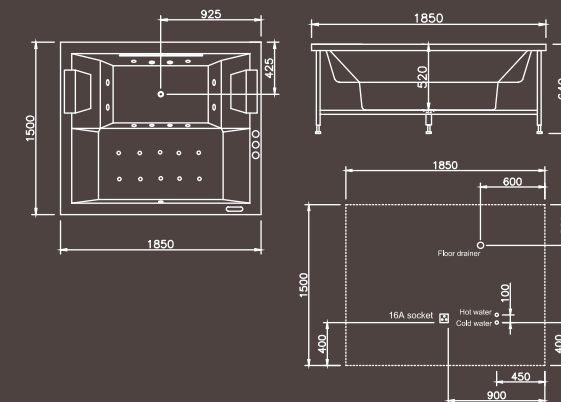
## SAFETY FUNCTION

- Dry Burning Protection
- Earth Leakage Circuit Breaker Water Level Sensor

## SIZE

- **1850 x 1500 x 670 MM**

## DRAWING & PRE-INSTALLATION



All accessories including jets can be changed without prior notice.



# FRONTAL



## FEATURES

- Square Built-In Infinity Whirlpool Bathtub
- SS Frame
- 2 hp Motor for Hydro Massage
- Made in Europe hydro massage jets
- 1 hp Motor for Overflow & Paper Filtration
- Control Panel
- FM Radio with Bluetooth
- Big Jets 8, 8 Colored Jets, 24 Small Jets
- Paper Filtration Pump
- Automatic Pop-up Waste
- Food grade piping for whirlpool
- Hand shower mixer diverter
- Optional-Online Heater

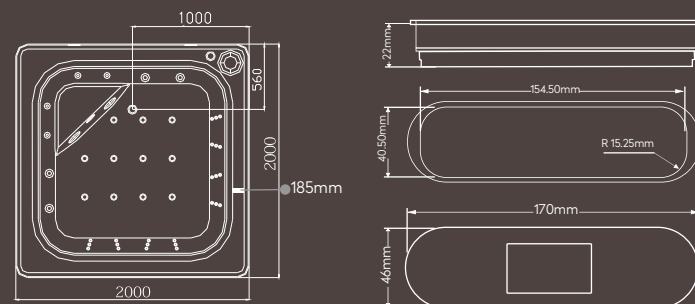
## SAFETY FUNCTION

- Dry Burning Protection
- Earth Leakage Circuit Breaker
- Water Level Sensor

## SIZE

- **2000 x 2000 x 730 MM**

## DRAWING & PRE-INSTALLATION



**Optional Feature:** Online Heater ( optional feature not a part of the product offer)

# ARIKA



## FEATURES

- Designer rectangular bath tub made up Lucite acrylic With SS Frame
- 2 Big Electronic Waterfall with Integrated Light
- Feather Touch Digital Control Panel
- 1.5 hp Pump for Waterfall
- Water Massage - 8 Hydro Massage Jets
- 1 hp Whirlpool Motor for Water
- 6 koller micro jet for spinal massage
- 300 W Air Pump for Micro Hole Air Jets
- Diverter mixer with popup hand shower
- Multipurpose automatic popup waste with filler and overflow function
- Chromotherapy Light - 2 Pcs
- Bluetooth With speaker
- Optional-3 KW Online Heater for Temperature Control

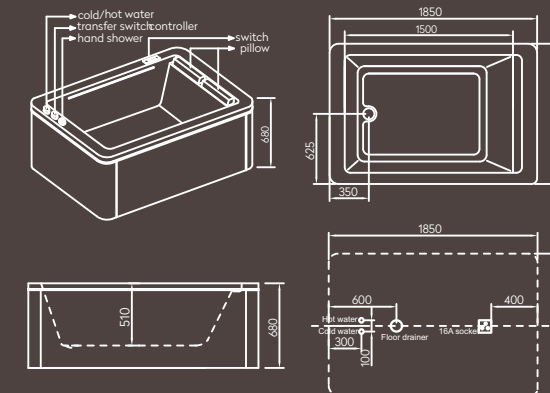
## SAFETY FUNCTION

- Dry Burning Protection
- Temperature Sensor
- Earth Leakage Circuit Breaker
- Water Level Sensor
- Optional - oxyjet kit

## SIZE

- **1860 x 1260 x 660 MM ( With Panel )**
- **1830 x 1235 x 660 MM ( w/o panel )**

## DRAWING & PRE-INSTALLATION



All accessories including jets can be changed without prior notice.



## KENN



### FEATURES

- Corner Acrylic Bath Tub with SS Frame
- Designer Aquarium Look with Stainless Steel Strip
- 1 hp Whirlpool Motor for Water Massage
- Chromotherapy Lights
- Water Massage - 8 Hydro Massage Jets and Made in Europe hydro massage jets
- Digital Control Panel
- 2 Headrest
- Multipurpose automatic popup waste with filler and overflow function
- 300 W Air Pump with Air Jets
- Food grade piping for whirlpool
- Hand shower mixer diverter

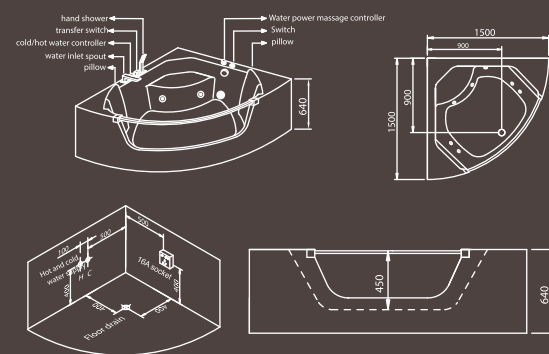
### SAFETY FUNCTION

- Dry Burning Protection
- Earth Leakage Circuit Breaker
- Water Level Sensor

### SIZE

• **1490 x 1490 x 610 MM**

### DRAWING & PRE-INSTALLATION



## NIXIE



### FEATURES

- Designer Acrylic Bathtub with Illuminated Water Stream having SS Frame
- 4 Dorsal Small Massage Jets and Made in Europe hydro massage jets
- Water Massage - 8 Hydro Massage Jets, 16 Bubble Jets
- 1.5 hp Whirlpool Motor for Water Massage
- Bathtub Mixer with Hand Shower Covered in Stainless Steel Box
- Feather Touch Control Panel
- 300 W Air Pump
- Designer Headrest
- Online Heater
- Automatic Pop-up Waste

- Food grade piping for whirlpool
- Chromotherapy Light

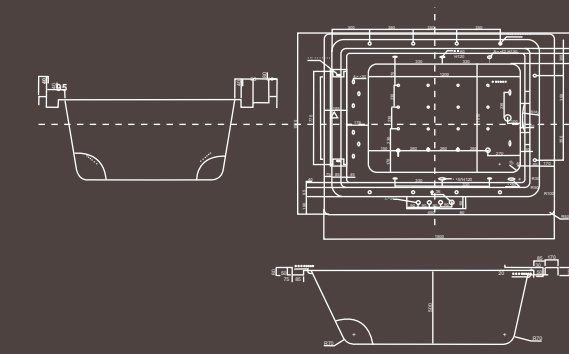
### SAFETY FUNCTION

- Dry Burning Protection
- Earth Leakage Circuit Breaker
- Water Level Sensor

### SIZE

• **1900 x 1550 x 670 MM**

### DRAWING & PRE-INSTALLATION





# MARENA



All accessories including jets can be changed without prior notice.

## FEATURES

- Round Built-In Lucite Acrylic Bathtub With SS Frame
- Feather Touch Digital Control Panel
- Water Massage - 6 Hydro Massage Jets
- 1100 W Highly Efficient Koller Motor for Water Massage
- Air Massage - 15 Extra Slim Air Jets
- 600 W Koller Motor for Air Massage with Silencer
- Diverter mixer with popup hand shower
- 4 Designer Headrest
- Chromotherapy Light
- Ozonizer
- Music - FM Radio & Bluetooth
- Optional-3 kW Online Heater for Temperature Control

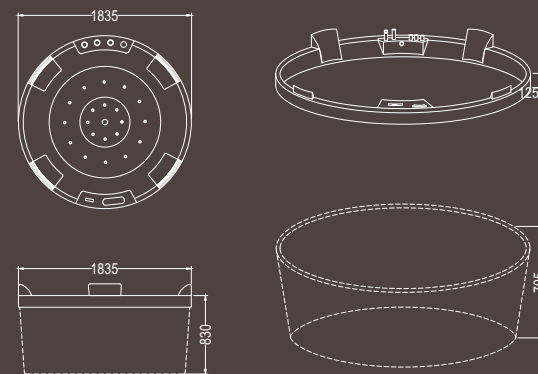
## SAFETY FUNCTION

- Dry Burning Protection
- Earth Leakage Circuit Breaker
- Water Level Sensor

## SIZE

• 1835 x 830 mm

## DRAWING & PRE-INSTALLATION



# MESI



## FEATURES

- Built-In Lucite Acrylic Bathtub With SS Frame
- Feather Touch Digital Control Panel
- Water Massage - 8 Hydro Massage Jets & 11 Slim Hydro Massage Jets
- 1100 W Highly Efficient Koller Motor for Water Massage
- Air Massage - 14 Extra Slim Air Jets
- 600 W Koller Motor for Air Massage with Silencer
- Multipurpose automatic popup waste with filler and overflow function
- 2 Designer Headrest
- Music - FM Radio & Bluetooth
- Chromotherapy Light
- Ozonizer
- Designer Polished Wooden Frame on the Top
- Optional-3 KW Online Heater for Temperature Control

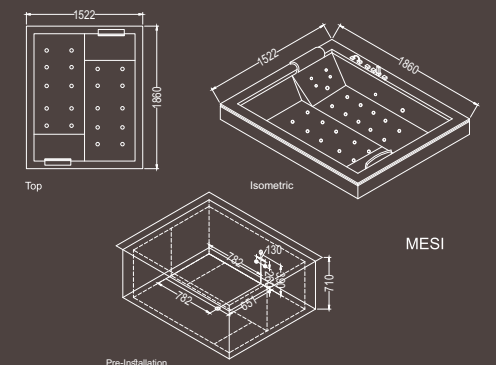
## SAFETY FUNCTION

- Dry Burning Protection
- Earth Leakage Circuit Breaker
- Water Level Sensor

## SIZE

• 1860 x 1510 x 720 MM

## DRAWING & PRE-INSTALLATION





## SEASIDE



All accessories including jets can be changed without prior notice.

### FEATURES

- Designer rectangle Lucite acrylic bathtub with bar bench and SS frame
- Designer Long Side Sitting
- Feather Touch Digital Control Panel
- Water Massage - 6 Hydro Massage Jets & 8 Slim Hydro Massage Jets
- 1100 W Highly Efficient Koller Motor for Water Massage
- Air Massage - 12 Extra Slim Air Jets
- 600 W Koller Motor for Air Massage with Silencer
- Music - FM Radio & Bluetooth
- Multipurpose automatic popup waste with filler and overflow function
- 2 Headrest
- Chromotherapy Light
- Ozonizer

- Optional-3 kW Online Heater for Temperature Control

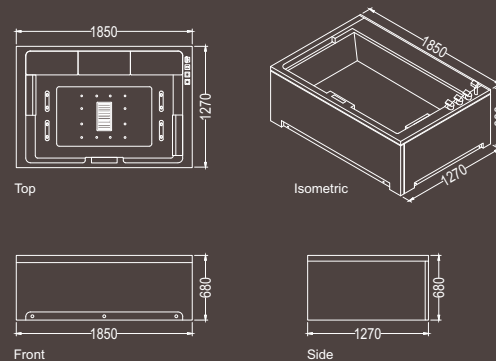
### SAFETY FUNCTION

- Dry Burning Protection
- Earth Leakage Circuit Breaker
- Water Level Sensor

### SIZE

- **1850 x 1275 x 680 MM**

### DRAWING & PRE-INSTALLATION



## BLISS



All accessories including jets can be changed without prior notice.

### FEATURES

- 8 hydro massage Designer rectangle Lucite acrylic bathtub with bar bench and SS frame
- Feather Touch Digital Control Panel
- Water Massage - 4 Hydro Massage Jets & 4 Slim Hydro Massage Jets
- 600 W Koller Motor for Water Massage
- Air Massage - 8 Extra Slim Air Jets
- 600 W Koller Motor for Air Massage with Silencer
- Multipurpose automatic popup waste with filler and overflow function
- 2 Headrest
- Chromotherapy Light
- Music - FM Radio and Bluetooth
- Ozonizer
- Optional-3 KW Online Heater for Temperature Control

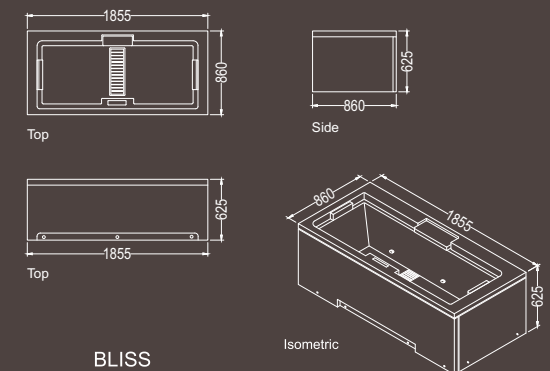
### SAFETY FUNCTION

- Dry Burning Protection
- Earth Leakage Circuit Breaker
- Water Level Sensor

### SIZE

- **1855 x 860 x 625 MM**

### DRAWING & PRE-INSTALLATION



BLISS



# DRIZZLE



All accessories including jets can be changed without prior notice.

## FEATURES

- Built-In Lucite Acrylic Bathtub With SS Frame
- Designer Polished Teak Wooden Frame on the Top
- Feather Touch Digital Control Panel
- Water Massage - 5 Hydro Massage Jets & 9 Slim Hydro Massage Jets
- Air Massage - 10 Extra Slim Air Jets
- 1100 W Highly Efficient Koller Motor for Water Massage
- 600 W Koller Motor for Air Massage with Silencer
- Multipurpose automatic popup waste with filler and overflow function
- Chromotherapy Light
- Ozonizer
- Music - FM Radio & Bluetooth
- Optional-3 kW Online Heater

- Designer head rest

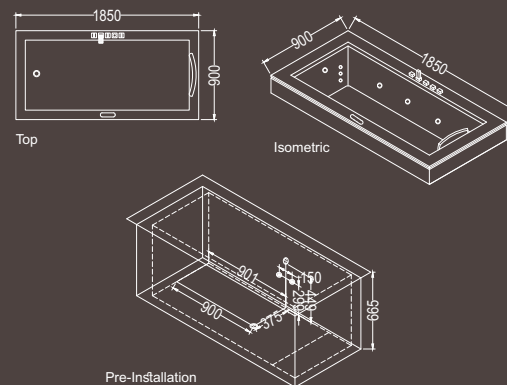
## SAFETY FUNCTION

- Dry Burning Protection
- Earth Leakage Circuit Breaker
- Water Level Sensor

## SIZE

• **1840 x 900 x 700 MM**

## DRAWING & PRE-INSTALLATION



# ALPHUZIA



All accessories including jets can be changed without prior notice.

## FEATURES

- Lucite Acrylic Bathtub With SS Frame
- Pneumatic / Electronic Panel to Operate Whirlpool System and Light
- 8 Hydro Massage Jets and 10 Air Jets
- 600 W Highly Efficient Koller Motor for Water Massage
- Headrest
- Chromotherapy Lights
- Available in LHS & RHS Model
- Automatic Pop-up Waste
- 600 W Koller Motor for Air Massage with Silencer

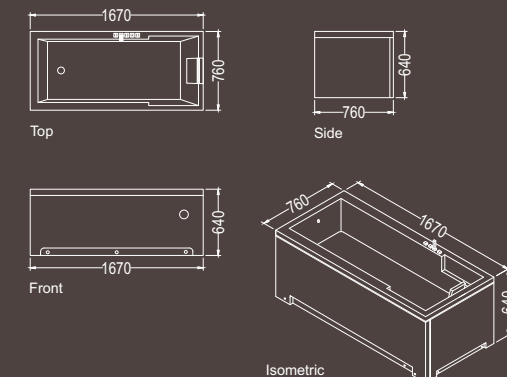
## SAFETY FUNCTION

- Dry Burning Protection
- Earth Leakage Circuit Breaker
- Water Level Sensor
- Combo-Composition of Hydro & Air Massage

## SIZE

• **1670 x 760 x 640 MM**

## DRAWING & PRE-INSTALLATION







All accessories including jets can be changed without prior notice.

**FEATURES**

- Lucite Acrylic Bathtub of stainless steel soft massage jet at bottom
- Feather Touch Digital Control Panel
- 8 Hydro Massage Jets, 10 Air Jets
- 600 W Highly Efficient Koller Motor for Water Massage
- 1 Headrest
- Chromotherapy Light
- Ozonizer
- Music - FM Radio & Bluetooth
- Available in LHS & RHS Model
- 600 W Koller Motor for Air Massage with Silencer
- Automatic Pop-up Waste
- Optional- Bath Filler Set
- Optional-3 kW Online Heater for Temperature Control

**SAFETY FUNCTION**

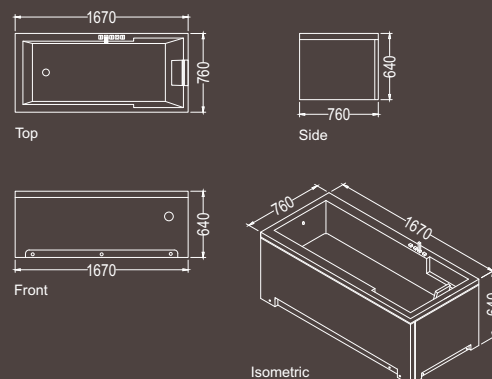
- Dry Burning Protection
- Earth Leakage Circuit Breaker
- Water Level Sensor

Combo -Composition of Hydro & Air Massage

**SIZE**

• **1670 x 760 x 640 MM**

**DRAWING & PRE-INSTALLATION**



**FEATURES**

- Lucite Acrylic Bathtub With SS Frame
- Pneumatic/Electronic Panel to Operate Whirlpool System and Light
- Water Massage - 8 Hydro Massage Jets, 10 Air Jets
- 600 W Highly Efficient Koller Motor for Water Massage
- Headrest
- Chromotherapy Light
- Available in LHS & RHS Model
- Automatic Pop-up Waste
- 600 W Koller Motor for Air Massage with Silencer

**SAFETY FUNCTION**

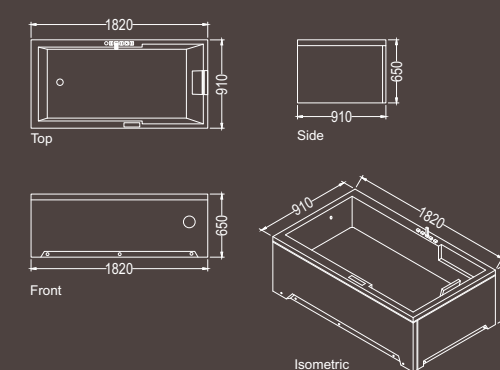
- Dry Burning Protection
- Earth Leakage Circuit Breaker
- Water Level Sensor

Combo -Composition of Hydro & Air Massage

**SIZE**

• **1825 x 910 x 615 MM**

**DRAWING & PRE-INSTALLATION**







**FEATURES**

- Lucite Acrylic Bathtub With SS Frame
- Feather Touch Digital Control Panel
- Water Massage - 8 Hydro Massage Jets, 10 Air Jets
- 600 W Highly Efficient Koller Motor for Water Massage
- Headrest
- Chromotherapy Light
- Ozonizer
- Music - FM Radio & Bluetooth
- Available in LHS & RHS Model
- Automatic Pop-up Waste
- Optional- Bath Filler Set
- 600 W Koller Motor for Air Massage with Silencer

- Optional-3 kW Online Heater for Temperature Control

**SAFETY FUNCTION**

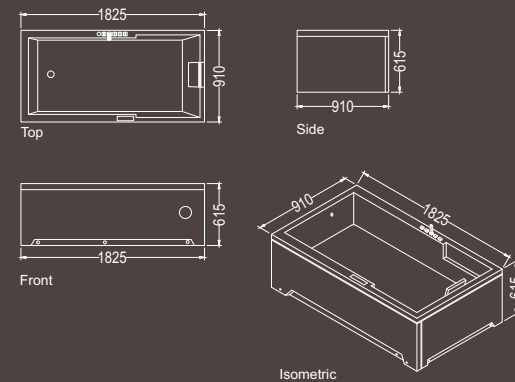
- Dry Burning Protection
- Earth Leakage Circuit Breaker
- Water Level Sensor

Combo -Composition of Hydro & Air Massage

**SIZE**

• **1825x 910 x 615 MM**

**DRAWING & PRE-INSTALLATION**



**FEATURES**

- Designer Lucite acrylic bathtub with SS Frame
- Feather Touch Digital Control Panel
- Water Massage - 2 Hydro Massage Jets & 9 Slim Hydro Massage Jets
- 600 W Highly Efficient Koller Motor for Water Massage
- Air Massage - 10 Extra Slim Air Jets
- 600 W Koller Motor for Air Massage with Silencer
- Designer Lucite acrylic bathtub
- Headrest, Shampoo Rack, Grab Bar and Towel Rod
- Chromotherapy Light
- Ozonizer
- Multipurpose automatic popup waste with filler and overflow function
- Music - FM Radio & Bluetooth
- Ergonomic Shape for Comfortable Bath

- Optional-3 kW Online Heater for Temperature Control
- Available in LHS & RHS Model

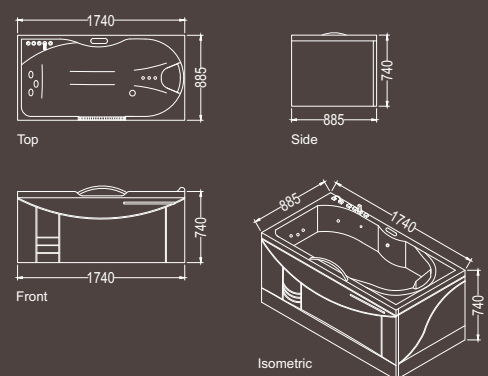
**SAFETY FUNCTION**

- Dry Burning Protection
- Earth Leakage Circuit Breaker
- Water Level Sensor

**SIZE**

• **1740 x 885 x 740 MM**

**DRAWING & PRE-INSTALLATION**





# BONITO



All accessories including jets can be changed without prior notice.

## FEATURES

- Lucite Acrylic Bathtub With SS Frame
- Feather Touch Digital Control Panel
- Water Massage - 2 Hydro MassageJets & 9 Slim Hydro Massage Jets
- Air Massage - 10 Extra Slim Air Jets
- 600 W Highly Efficient Koller Motor for Water Massage
- 600 W Koller Motor for Air Massage with Silencer
- Multipurpose automatic popup waste with filler and overflow function
- Headrest, Shampoo Rack, Grab Bar and Towel Rod
- Chromotherapy Light
- Ozonizer
- Music - FM Radio & Bluetooth Ergonomic Shape for Comfortable Bath
- Available in LHS & RHS Model

- Optional-3 kW Online Heater for Temperature Control

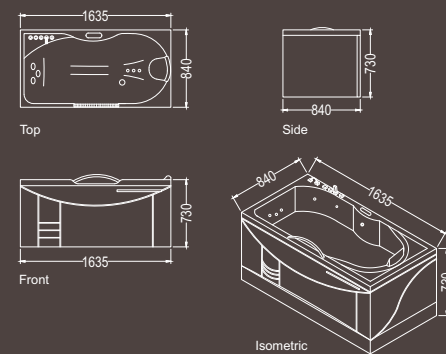
## SAFETY FUNCTION

- Dry Burning Protection
- Earth Leakage Circuit Breaker
- Water Level Sensor

## SIZE

• **1635 x 840 x 730 MM**

## DRAWING & PRE-INSTALLATION



# VISTA



## FEATURES

- Designer Lucite acrylic bathtub With SS Frame
- Feather Touch Digital Control Panel
- 2 Hydro Massage Jets & 9 Slim HydroMassage Jets
- 1100 W Highly Efficient Koller Motor for Water Massage
- Air Massage - 10 Extra Slim Air Jets
- 600 W Highly Efficient Koller Motor with Silencer for Air Massage
- Integrated Step For Easy Access
- Multipurpose automatic popup waste with filler and overflow function
- Headrest, Shampoo Rack and Grab Bar
- Chromotherapy Light
- Music - FM Radio & Bluetooth

- Ergonomic Shape for Comfortable Bath
- Ozonizer
- Available in RHS & LHS Model
- Optional-3 kW Online Heater for Temperature Control

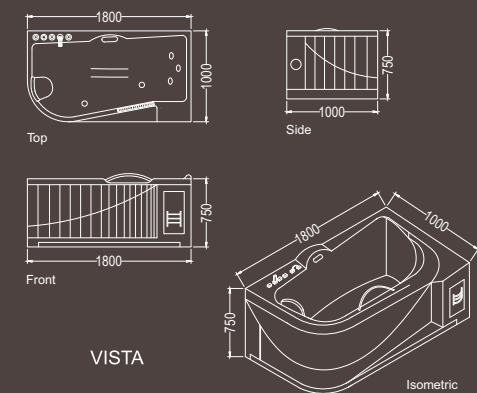
## SAFETY FUNCTION

- Dry Burning Protection
- Earth Leakage Circuit Breaker
- Water Level Sensor

## SIZE

• **1800 x 1000 x 750 MM**

## DRAWING & PRE-INSTALLATION



VISTA

Isometric





All accessories including jets can be changed without prior notice.

**FEATURES**

- Designer Lucite acrylic bathtub With SS Frame
- Feather Touch Digital Control Panel
- Water Massage - 2 Hydro Massage Jets & 10 Slim Hydro Massage Jets
- 1100 W Highly Efficient Koller Motor for Water Massage
- Air Massage - 10 Extra Slim Air Jets.
- 600 W Koller Motor for Air Massage with Silencer
- Headrest, Shampoo Rack, Towel Rod and Grab Bar
- Multipurpose automatic popup waste with filler and overflow function
- Chromotherapy Light
- Music - FM Radio & Bluetooth
- Ozonizer

- Available in LHS & RHS Model
- Ergonomic shape

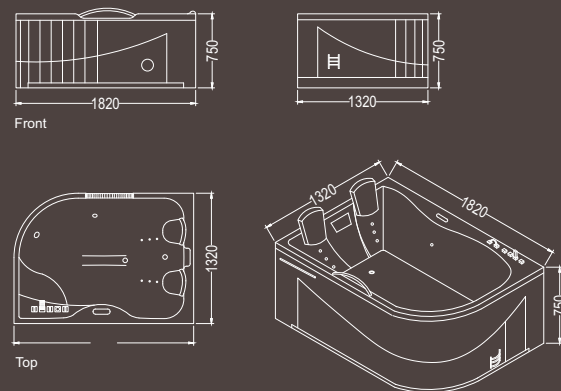
**SAFETY FUNCTION**

- Optional-3 kW Online Heater for Temperature Control
- Dry Burning Protection
- Earth Leakage Circuit Breaker
- Water Level Sensor

**SIZE**

• **1820 x 1320 x 770 MM**

**DRAWING & PRE-INSTALLATION**



**FEATURES**

- Corner Lucite Acrylic Bathtub With SS Frame
- Feather Touch Digital Control Panel
- Water Massage - 2 Hydro Massage Jets & 9 Slim Hydro Massage Jets
- Air Massage - 10 Extra Slim Air Jets
- 1100 W Highly Efficient Koller Motor for Water Massage
- 600 W Koller Motor for Air Massage with Silencer
- Multipurpose automatic popup waste with filler and overflow function
- Headrest, Shampoo Rack, Towel Rod and Grab Bar
- Chromotherapy Light
- Ozonizer
- Music - FM Radio & Bluetooth
- Ergonomic shape

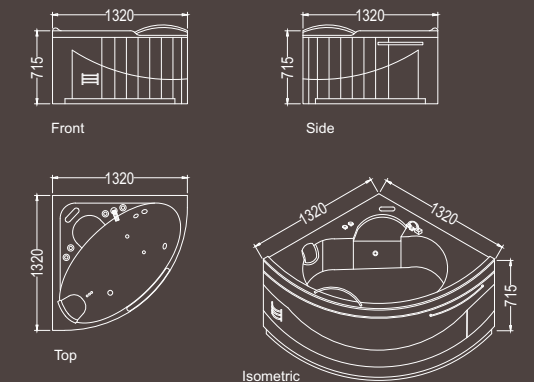
- Optional-3 kW Online Heater for Temperature Control

**SAFETY FUNCTION**

- Dry Burning Protection
- Earth Leakage Circuit Breaker
- Water Level Sensor

**SIZE**

• **1320 x 1320 x 715 MM**





# BELLADONNA



All accessories including jets can be changed without prior notice.

# CAESOR



All accessories including jets can be changed without prior notice.

## FEATURES

- Designer Lucite acrylic bathtub With SS Frame
- Feather Touch Digital Control Panel
- Water Massage - 2 Hydro Massage Jets & 9 Slim Hydro Massage Jets
- 1100 W Highly Efficient Koller Motor for Water Massage
- Air Massage - 10 Extra Slim Air Jets
- 600 W Koller Motor for Air Massage with Silencer
- Multipurpose automatic popup waste with filler and overflow function
- Headrest x2, Shampoo Rack, Towel Rod and Grab Bar
- Chromotherapy Light
- Ozonizer
- Music - FM Radio & Bluetooth
- Optional-3 kW Online Heater for Temperature Control
- Ergonomic shape

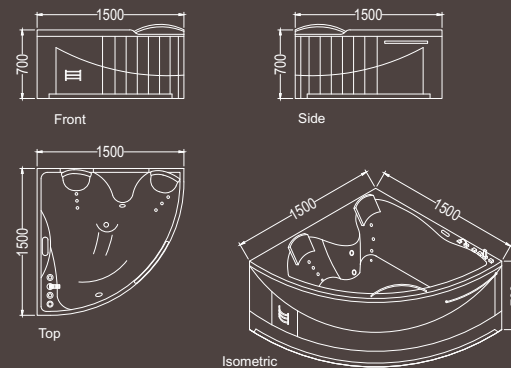
## SAFETY FUNCTION

- Dry Burning Protection
- Earth Leakage Circuit Breaker
- Water Level Sensor

## SIZE

• **1500 x 1500 x 700 MM**

## DRAWING & PRE-INSTALLATION



## FEATURES

- Side by side Lucite acrylic bathtub With SS Frame
- Pneumatic/Electronic Panel to Operate Whirlpool System and Light
- Water Massage - 8 Hydro Massage Jets, 10 Air Jets
- 1100 W Highly Efficient Koller Motor for Water Massage
- 2 Headrest
- Chromotherapy Light
- Available in LHS & RHS Model
- Automatic Pop-up Waste
- 600 W Koller Motor for Air Massage with Silencer

## SAFETY FUNCTION

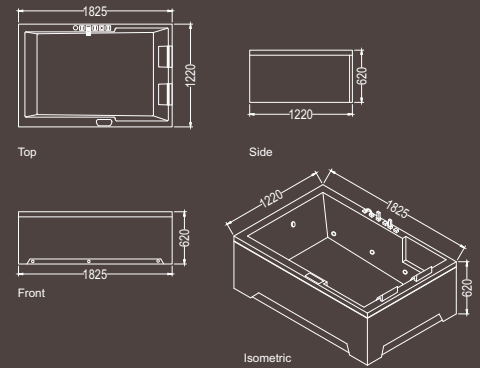
- Dry Burning Protection
- Earth Leakage Circuit Breaker
- Water Level Sensor

Combo-Composition of Hydro & Air Massage

## SIZE

• **1825 x 1220 x 620 MM**

## DRAWING & PRE-INSTALLATION







**FEATURES**

- Side by side Lucite acrylic bathtub With SS Frame
- Feather Touch Digital Control Panel
- Water Massage - 8 Hydro Massage Jets, 10 Air Jets
- 1100 W Highly Efficient Koller Motor for Water Massage
- 2 Headrest
- Chromotherapy Light
- Music - FM Radio & Bluetooth
- Ozonizer
- Available in LHS & RHS Model
- 600 W Koller Motor for Air Massage with Silencer
- Optional-3 KW Online Heater for Temperature Control
- Automatic Pop-up Waste

**SAFETY FUNCTION**

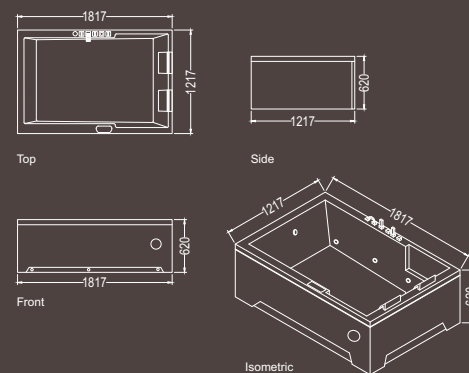
- Dry Burning Protection
- Earth Leakage Circuit Breaker
- Water Level Sensor

Combo -Composition of Hydro & Air Massage

**SIZE**

• **1825 x 1220 x 620 MM**

**DRAWING & PRE-INSTALLATION**



**FEATURES**

- Corner Lucite Acrylic Bathtub With SS Frame
- Pneumatic/Electronic Panel to Operate Whirlpool System and Light
- 8 Hydro Massage Jets
- 600 W Highly Efficient Koller Motor for Water Massage
- Headrest
- Chromotherapy Light
- 10 Air Jets
- 600 W Koller Motor for Air Massage with Silencer
- Automatic Pop-up Waste

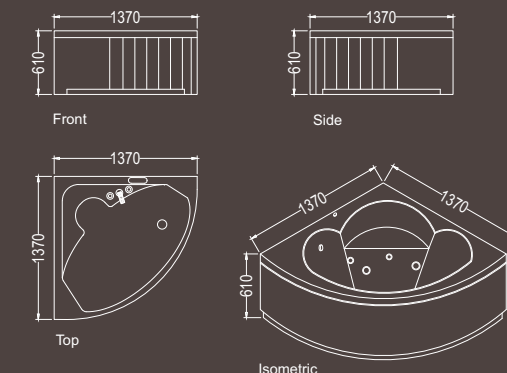
**SAFETY FUNCTION**

- Dry Burning Protection
- Earth Leakage Circuit Breaker
- Water Level Sensor
- Combo-Composition of Hydro & Air Massage

**SIZE**

• **1370 x 1370 x 610 MM**

**DRAWING & PRE-INSTALLATION**





# MELISSA



All accessories including jets can be changed without prior notice.

# ROLANDO



## FEATURES

- Corner Lucite Acrylic Bathtub With SS Frame
- Feather Touch Digital Control Panel
- Water Massage – 8 Hydro Massage Jets & 10 Air Jets
- 600 W Highly Efficient Koller Motor for Water Massage
- Headrest
- Chromotherapy Light
- Ozonizer
- Music – FM Radio & Bluetooth
- Automatic Pop-up Waste
- Optional- Bath Filler Set
- 600 W Koller Motor for Air Massage with Silencer
- Optional-3 KW Online Heater for Temperature Control

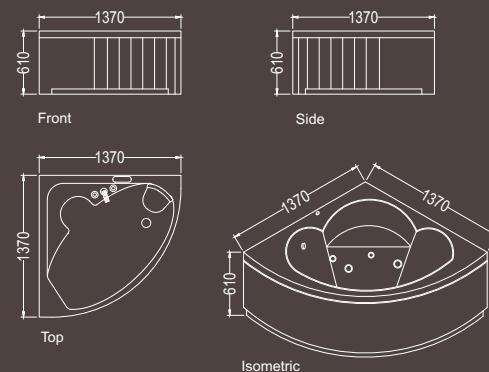
## SAFETY FUNCTION

- Dry Burning Protection
- Earth Leakage Circuit Breaker
- Water Level Sensor

## SIZE

• **1370 x 1370 x 610 MM**

## DRAWING & PRE-INSTALLATION



## FEATURES

- Corner Lucite Acrylic Bathtub With SS Frame
- Pneumatic/Electronic Panel to Operate Whirlpool System and Light
- 8 Hydro Massage Jets
- 600 W Highly Efficient Koller Motor for Water Massage
- Chromotherapy Light
- Automatic Pop-up Waste
- 10 Air Jets
- 600 W Koller Motor for Air Massage with Silencer

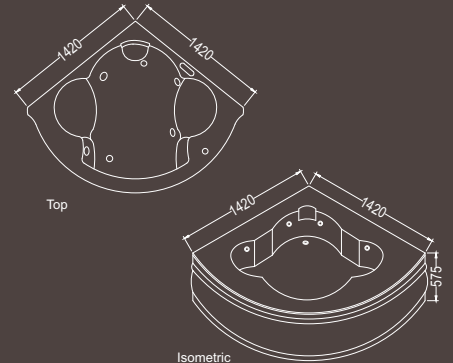
## SAFETY FUNCTION

- Dry Burning Protection
- Earth Leakage Circuit Breaker
- Water Level Sensor
- Combo-Composition of Hydro & Air Massage

## SIZE

• **1420 x 1420 x 575 MM**

## DRAWING & PRE-INSTALLATION





# REGALIA



All accessories including jets can be changed without prior notice.

## FEATURES

- Corner Lucite Acrylic Bathtub With SS Frame
- Feather Touch Digital Control Panel
- 8 Hydro Massage Jets, 10 Air Jets
- 600 W Highly Efficient Koller Motor for Water Massage
- Headrest
- Chromotherapy Lights
- Ozonizer
- Music - FM Radio & Bluetooth
- Automatic Pop-up Waste
- 600 W Koller Motor for Air Massage with Silencer
- Optional-3 kW Online Heater for Temperature Control

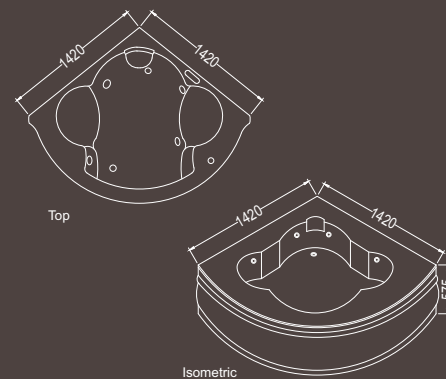
## SAFETY FUNCTION

- Dry Burning Protection
- Earth Leakage Circuit Breaker
- Water Level Sensor
- Combo-Composition of Hydro & Air Massage

## SIZE

- 1420 x 1420 x 575 MM

## DRAWING & PRE-INSTALLATION

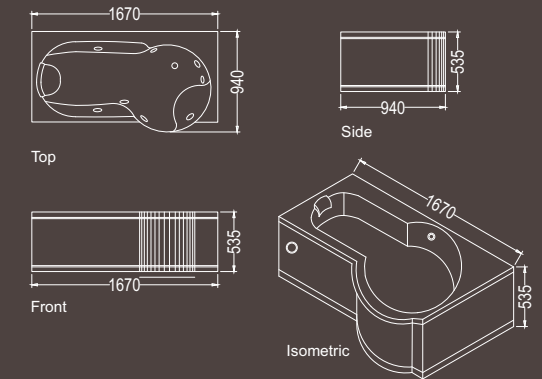


# QUORRA



All accessories including jets can be changed without prior notice.

## DRAWING & PRE-INSTALLATION



Combo -Composition of Hydro & Air Massage

## 'P' shape Lucite/ GP Acrylic Bath Tub Available in RHS or LHS

Bath Tub Pillow, Waste Coupling with Chain Plug or Automatic Popup Waste should be ordered separately for all Plain Bath Tubs. Stainless Steel Stand should be ordered separately when Plain Bath Tubs ordered with Front or Side Panels.

**SIZE: 1670 X 940 X 535 MM**



# JORDIANA

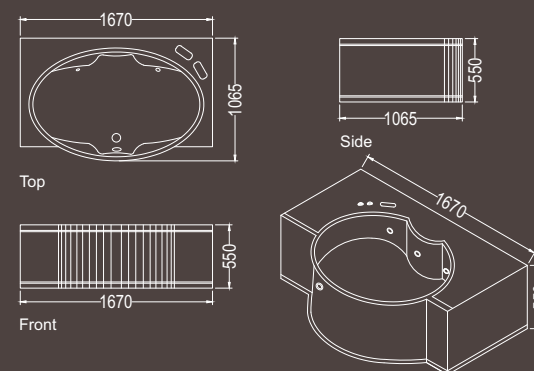


## Lucite/ GP Acrylic Bath Tub

Combo -Composition of Hydro & Air Massage

Bath Tub Pillow, Waste Coupling with Chain Plug or Automatic Popup Waste should be ordered separately for all Plain Bath Tubs. Stainless Steel Stand should be ordered separately when Plain Bath Tubs ordered with Front or Side Panels.

### DRAWING & PRE-INSTALLATION



SIZE: 1670 X 1065 X 550 MM

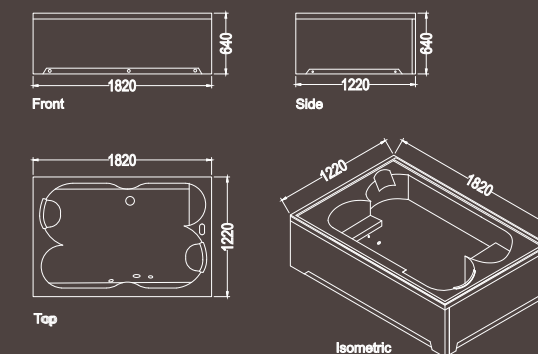
# ALLEGRA



## Rectangular Lucite Acrylic/ GP Acrylic Bath Tub

Bath Tub Pillow, Waste Coupling with Chain Plug or Automatic Popup Waste should be ordered separately for all Plain Bath Tubs. Stainless Steel Stand should be ordered separately when Plain Bath Tubs ordered with Front or Side Panels.

### DRAWING & PRE-INSTALLATION



SIZE: 1820 X 1220 X 620 MM



# LUCETA

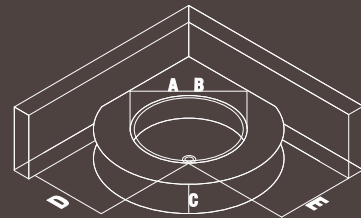
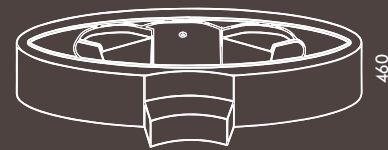


# GABRIELA



All accessories including jets can be changed without prior notice.

## DRAWING & PRE-INSTALLATION



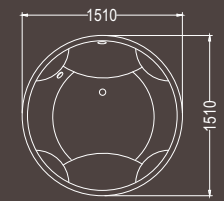
SIZE: 1790 x 475 MM

## Round Lucite Acrylic Bath Tub

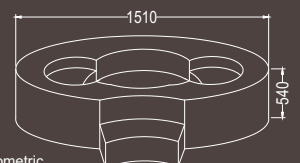
Combo -Composition of Hydro & Air Massage

Bath Tub Pillow, Waste Coupling with Chain Plug or Automatic Popup Waste should be ordered separately for all Plain Bath Tubs. Stainless Steel Stand should be ordered separately when Plain Bath Tubs ordered with Front or Side Panels.

## DRAWING & PRE-INSTALLATION



Top



Isometric

SIZE: 1510 X 540 MM

## Round Lucite Acrylic Bath Tub

Combo -Composition of Hydro & Air Massage

Bath Tub Pillow, Waste Coupling with Chain Plug or Automatic Popup Waste should be ordered separately for all Plain Bath Tubs. Stainless Steel Stand should be ordered separately when Plain Bath Tubs ordered with Front or Side Panels.



# SIENNA



All accessories including jets can be changed without prior notice.

# BENELLA

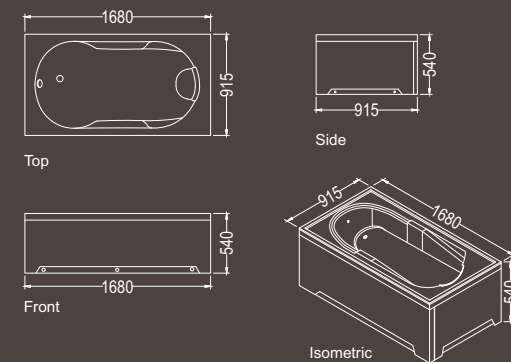


All accessories including jets can be changed without prior notice.

## Rectangular Lucite Acrylic/ GP Acrylic Bath Tub

Bath Tub Pillow, Waste Coupling with Chain Plug or Automatic Popup Waste should be ordered separately for all Plain Bath Tubs. Stainless Steel Stand should be ordered separately when Plain Bath Tubs ordered with Front or Side Panels.

### DRAWING & PRE-INSTALLATION

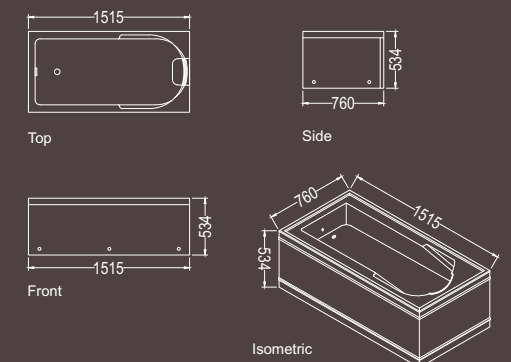


SIZE: 1680 X 915 X 540 MM

## Rectangular Lucite Acrylic/ GP Acrylic Bath Tub

Bath Tub Pillow, Waste Coupling with Chain Plug or Automatic Popup Waste should be ordered separately for all Plain Bath Tubs. Stainless Steel Stand should be ordered separately when Plain Bath Tubs ordered with Front or Side Panels.

### DRAWING & PRE-INSTALLATION



SIZE: - 1520 x 760 x 530 MM



# BREEDE

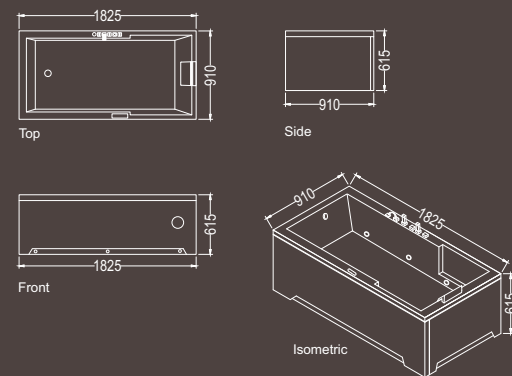


All accessories including jets can be changed without prior notice.

## Rectangular Lucite Acrylic Bath Tub

Bath Tub Pillow, Waste Coupling with Chain Plug or Automatic Popup Waste should be ordered separately for all Plain Bath Tubs. Stainless Steel Stand should be ordered separately when Plain Bath Tubs ordered with Front or Side Panels.

### DRAWING & PRE-INSTALLATION



SIZE: 1825 X 910 X 615 MM

# CAROLA

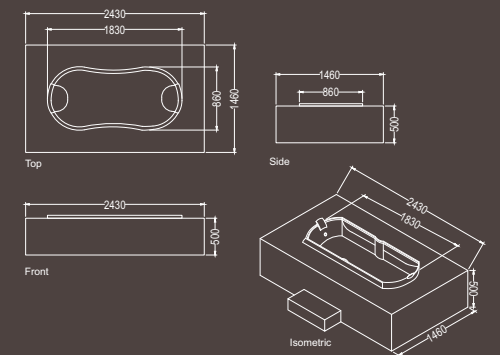


All accessories including jets can be changed without prior notice.

## Oval shape Lucite Acrylic/ GP Acrylic Bath Tub

Bath Tub Pillow, Waste Coupling with Chain Plug or Automatic Popup Waste should be ordered separately for all Plain Bath Tubs. Stainless Steel Stand should be ordered separately when Plain Bath Tubs ordered with Front or Side Panels.

### DRAWING & PRE-INSTALLATION



SIZE: 1830 X 860 X 550 MM

# BATUR



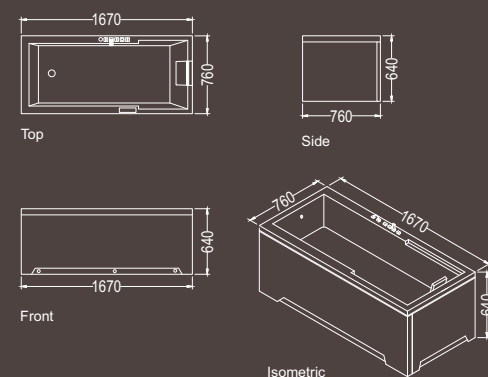
# FABIO



## Rectangular Lucite Acrylic/ GP Acrylic Bath Tub

Bath Tub Pillow, Waste Coupling with Chain Plug or Automatic Popup Waste should be ordered separately for all Plain Bath Tubs. Stainless Steel Stand should be ordered separately when Plain Bath Tubs ordered with Front or Side Panels.

### DRAWING & PRE-INSTALLATION

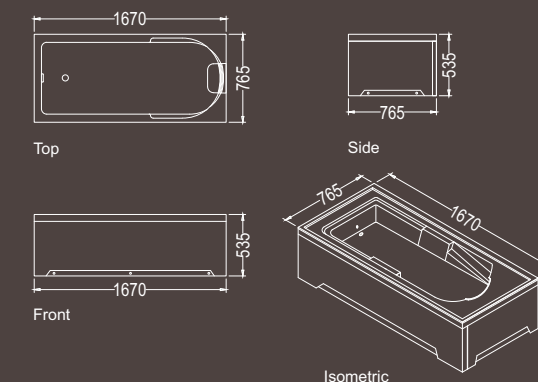


SIZE: 1670 X 760 X 640 MM

## Rectangular Lucite Acrylic/ GP Acrylic Bath Tub

Bath Tub Pillow, Waste Coupling with Chain Plug or Automatic Popup Waste should be ordered separately for all Plain Bath Tubs. Stainless Steel Stand should be ordered separately when Plain Bath Tubs ordered with Front or Side Panels.

### DRAWING & PRE-INSTALLATION



SIZE: 1675 x 765 x 530 MM



# XAVIER



All accessories including jets can be changed without prior notice.

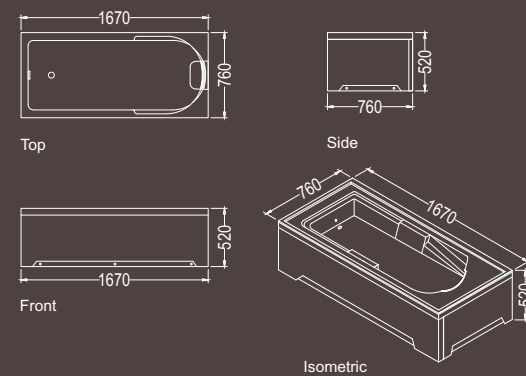
# FATHOM



## Rectangular Lucite Acrylic/ GP Acrylic Bath Tub

Bath Tub Pillow, Waste Coupling with Chain Plug or Automatic Popup Waste should be ordered separately for all Plain Bath Tubs. Stainless Steel Stand should be ordered separately when Plain Bath Tubs ordered with Front or Side Panels.

### DRAWING & PRE-INSTALLATION

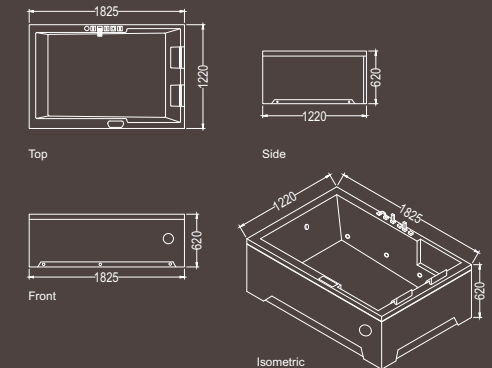


**SIZE: 1670 X 760 X 520 MM**

## Rectangular Lucite Acrylic Bath Tub

Bath Tub Pillow, Waste Coupling with Chain Plug or Automatic Popup Waste should be ordered separately for all Plain Bath Tubs. Stainless Steel Stand should be ordered separately when Plain Bath Tubs ordered with Front or Side Panels.

### DRAWING & PRE-INSTALLATION



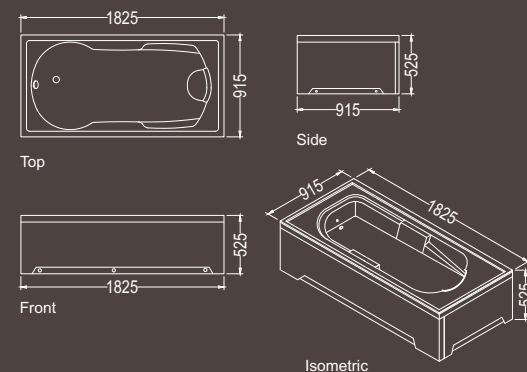
**SIZE: 1825 X 1220 X 620 MM**

# MAXIMUS



All accessories including jets can be changed without prior notice.

## DRAWING & PRE-INSTALLATION



SIZE: 1825 X 915 X 525 MM

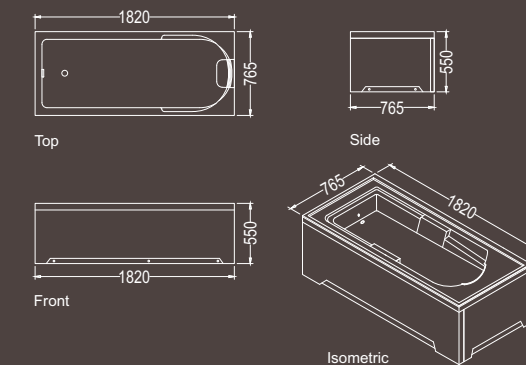
## Rectangular Lucite Acrylic/ GP Acrylic Bath Tub

Bath Tub Pillow, Waste Coupling with Chain Plug or Automatic Popup Waste should be ordered separately for all Plain Bath Tubs. Stainless Steel Stand should be ordered separately when Plain Bath Tubs ordered with Front or Side Panels.

# TESSA



## DRAWING & PRE-INSTALLATION



SIZE: 1820 X 765 X 550 MM

## Rectangular Lucite Acrylic/ GP Acrylic Bath Tub

Bath Tub Pillow, Waste Coupling with Chain Plug or Automatic Popup Waste should be ordered separately for all Plain Bath Tubs. Stainless Steel Stand should be ordered separately when Plain Bath Tubs ordered with Front or Side Panels.



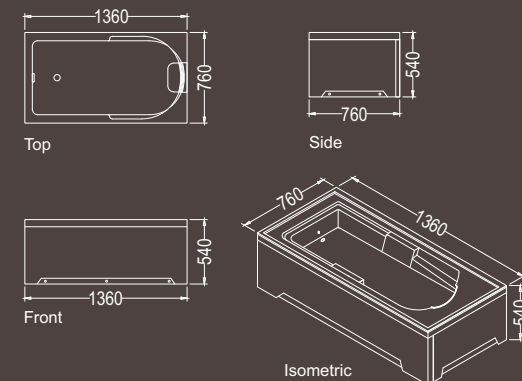
# OLIVER



## Rectangular Lucite Acrylic/ GP Acrylic Bath Tub

Bath Tub Pillow, Waste Coupling with Chain Plug or Automatic Popup Waste should be ordered separately for all Plain Bath Tubs. Stainless Steel Stand should be ordered separately when Plain Bath Tubs ordered with Front or Side Panels.

### DRAWING & PRE-INSTALLATION



SIZE: 1365 x 765 x 525 MM

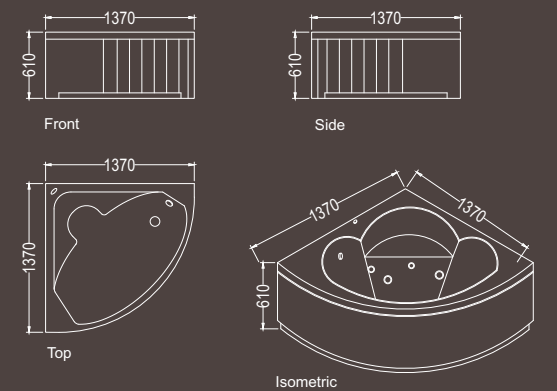
# PLACIDA



## Corner Lucite Acrylic Bath Tub

Bath Tub Pillow, Waste Coupling with Chain Plug or Automatic Popup Waste should be ordered separately for all Plain Bath Tubs. Stainless Steel Stand should be ordered separately when Plain Bath Tubs ordered with Front or Side Panels.

### DRAWING & PRE-INSTALLATION



SIZE: 1370 X 1370 X 610 MM

All accessories including jets can be changed without prior notice.

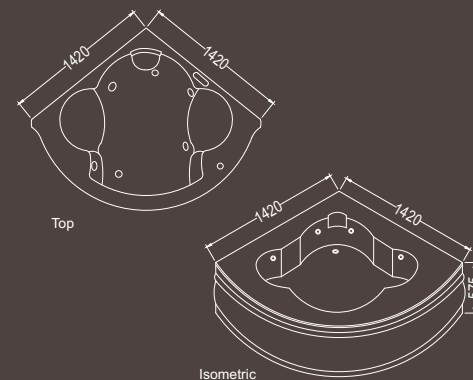
# CHRISTIANO



## Corner Lucite Acrylic Bath Tub

Bath Tub Pillow , Waste Coupling with Chain Plug or Automatic Popup Waste should be ordered separately for all Plain Bath Tubs. Stainless Steel Stand should be ordered separately when Plain Bath Tubs ordered with Front or Side Panels.

### DRAWING & PRE-INSTALLATION



**SIZE: 1420 X 1420 X 575 MM**

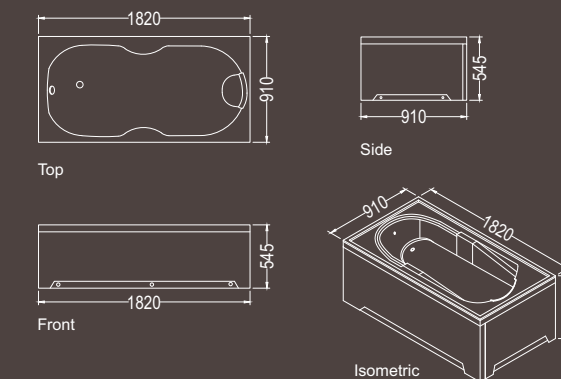
# ISABEL



## Rectangular Lucite Acrylic/ GP Acrylic Bath Tub

Bath Tub Pillow, Waste Coupling with Chain Plug or Automatic Popup Waste should be ordered separately for all Plain Bath Tubs. Stainless Steel Stand should be ordered separately when Plain Bath Tubs ordered with Front or Side Panels.

### DRAWING & PRE-INSTALLATION



**SIZE: 1820 x 910 x 550 MM**



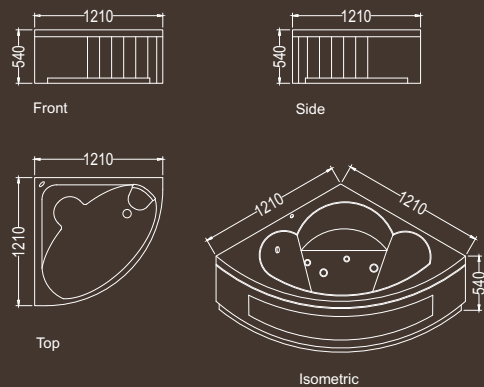
# CELESTE



## Corner Lucite Acrylic Bath Tub

Bath Tub Pillow , Waste Coupling with Chain Plug or Automatic PopUp Waste should be ordered separately for all Plain Bath Tubs. Stainless Steel Stand should be ordered separately when Plain Bath Tubs ordered with Front or Side Panels.

### DRAWING & PRE-INSTALLATION



SIZE: 1210 x 1210 x 505 MM

# MERMAID

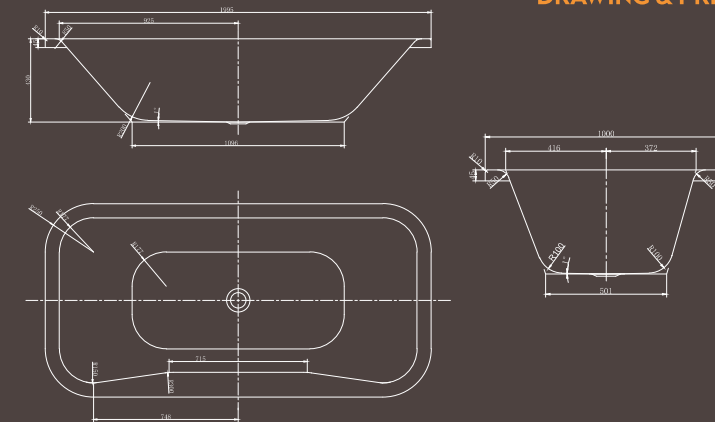


### FEATURES

Free Standing Acrylic Bathtub Fitted with Automatic Pop-up Waste

- Bath Tub Pillow, Waste Coupling with Chain Plug or Automatic PopUp Waste should be ordered separately for all Plain Bath Tubs.
- Stainless Steel Stand should be ordered separately when Plain Bath Tubs ordered with Front or Side Panels.

### DRAWING & PRE-INSTALLATION



SIZE: 1600 x 800 x 580 MM



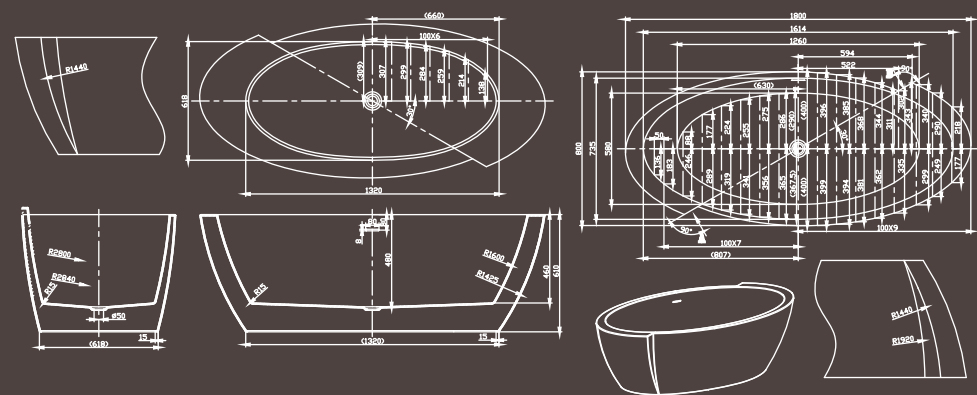
# BAMHAN



## FEATURES

Free Standing Acrylic Bathtub Fitted with Automatic Pop-up Waste

- Bath Tub Pillow, Waste Coupling with Chain Plug or Automatic Pop-up Waste should be ordered separately for all Plain Bath Tubs.
- Stainless Steel Stand should be ordered separately when Plain Bath Tubs ordered with Front or Side Panels.



## DRAWING & PRE-INSTALLATION

SIZE: 1800 x 800 x 610 MM

Fitting Shown is not a Part of Standard Bathtub

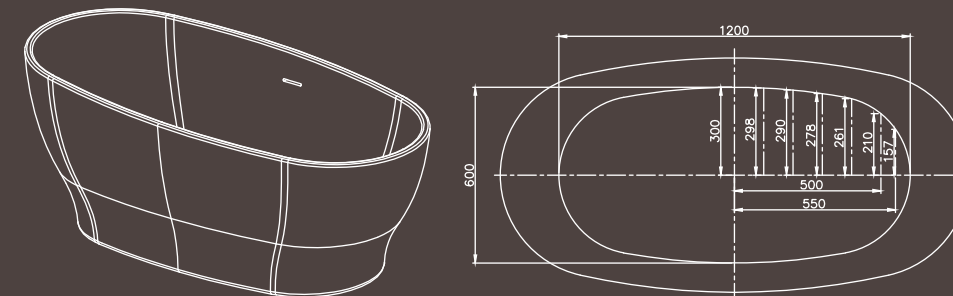
# MOAI



## FEATURES

Free Standing Acrylic Bathtub Fitted with Automatic Pop-up Waste

- Bath Tub Pillow, Waste Coupling with Chain Plug or Automatic Pop-up Waste should be ordered separately for all Plain Bath Tubs.
- Stainless Steel Stand should be ordered separately when Plain Bath Tubs ordered with Front or Side Panels.



## DRAWING & PRE-INSTALLATION

SIZE: 1600 x 800 x 650 MM

Fitting Shown is not a Part of Standard Bathtub



# OLMEC



All accessories including jets can be changed without prior notice.

# PETRA

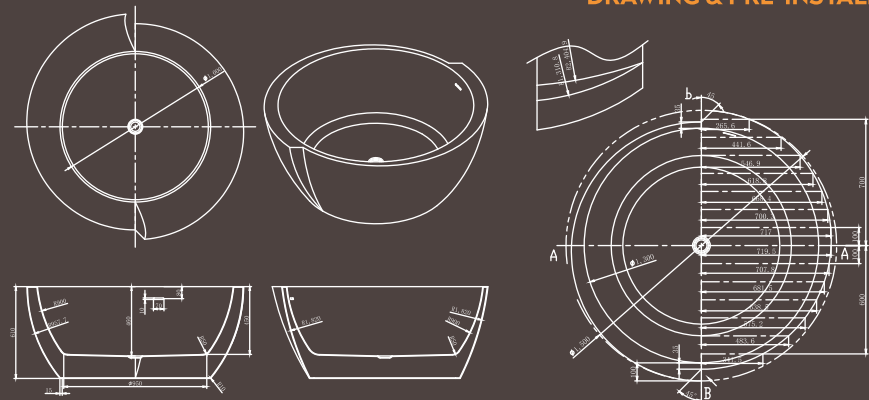


All accessories including jets can be changed without prior notice.

## FEATURES

Free Standing  
Acrylic Bathtub  
Fitted with  
Automatic  
Pop-up Waste

- Bath Tub Pillow, Waste Coupling with Chain Plug or Automatic Popup Waste should be ordered separately for all Plain Bath Tubs.
- Stainless Steel Stand should be ordered separately when Plain Bath Tubs ordered with Front or Side Panels.



## DRAWING & PRE-INSTALLATION

SIZE: 1500 X 1420 X 610 MM

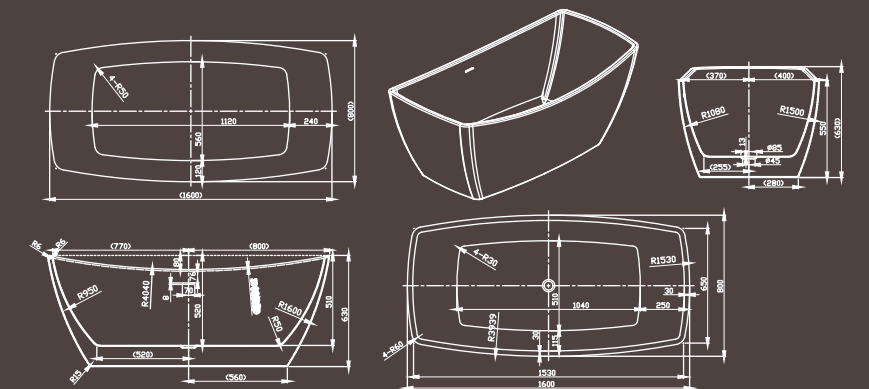
\*Fitting Shown is not a Part of Standard Bathtub

## FEATURES

Free Standing  
Acrylic Bathtub  
Fitted with  
Automatic  
Pop-up Waste

- Bath Tub Pillow, Waste Coupling with Chain Plug or Automatic Popup Waste should be ordered separately for all Plain Bath Tubs.
- Stainless Steel Stand should be ordered separately when Plain Bath Tubs ordered with Front or Side Panels.

## DRAWING & PRE-INSTALLATION



SIZE: 1750 X 850 X 630 MM

Fitting Shown is not a Part of Standard Bathtub



# RIVIERA

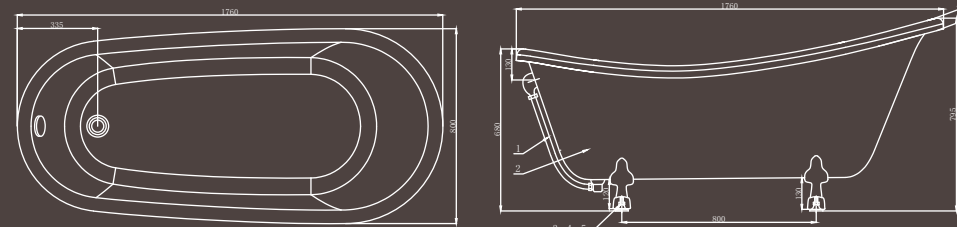


All accessories including jets can be changed without prior notice.

## FEATURES

Free Standing Acrylic Bathtub Fitted with Automatic Pop-up Waste

- Bath Tub Pillow, Waste Coupling with Chain Plug or Automatic Popup Waste should be ordered separately for all Plain Bath Tubs.
- Stainless Steel Stand should be ordered separately when Plain Bath Tubs ordered with Front or Side Panels.



## DRAWING & PRE-INSTALLATION

SIZE: 1750 X 800 X 820 MM

Fitting Shown is not a Part of Standard Bathtub

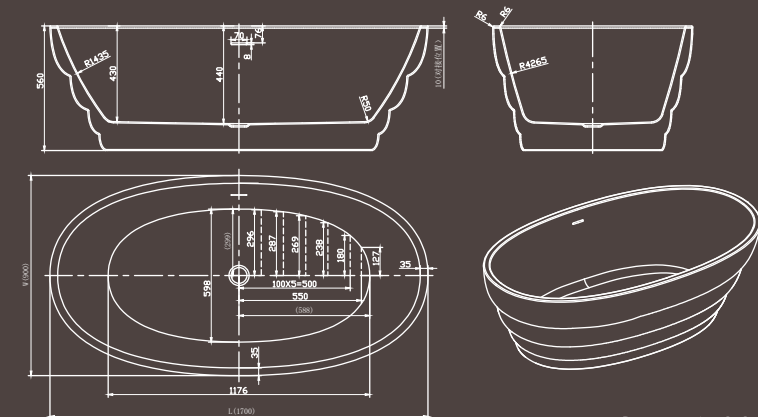
# SIMBEL BLACK



## FEATURES

Free Standing Acrylic Bathtub Fitted with Automatic Pop-up Waste

- Bath Tub Pillow, Waste Coupling with Chain Plug or Automatic Popup Waste should be ordered separately for all Plain Bath Tubs.
- Stainless Steel Stand should be ordered separately when Plain Bath Tubs ordered with Front or Side Panels.



## DRAWING & PRE-INSTALLATION

SIZE: 1700 X 920 X 580 MM

Fitting Shown is not a Part of Standard Bathtub



# SIMBEL WHITE

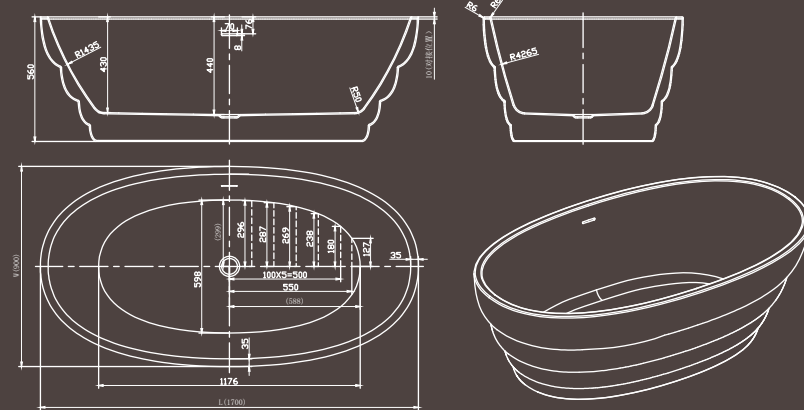


All accessories including jets can be changed without prior notice.

## FEATURES

Free Standing Acrylic Bathtub Fitted with Automatic Pop-up Waste

- Bath Tub Pillow, Waste Coupling with Chain Plug or Automatic Popup Waste should be ordered separately for all Plain Bath Tubs.
- Stainless Steel Stand should be ordered separately when Plain Bath Tubs ordered with Front or Side Panels.



SIZE: 1700 X 920 X 580 MM

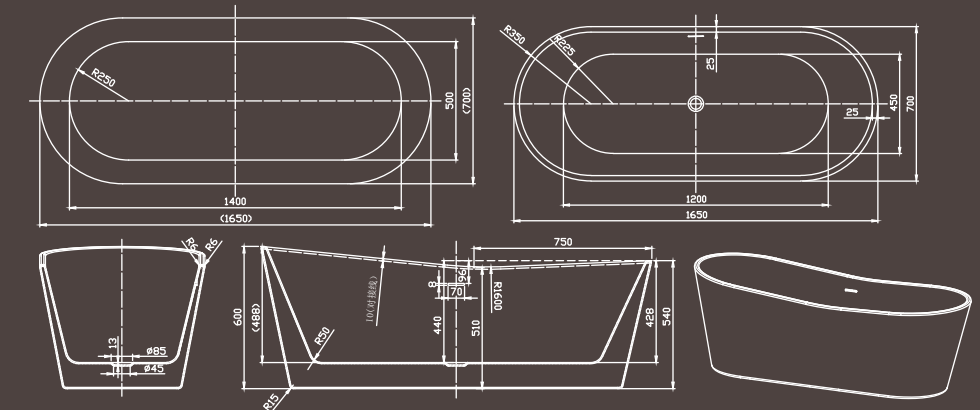
# SPHINX



## FEATURES

Free Standing Acrylic Bathtub Fitted with Automatic Pop-up Waste

- Bath Tub Pillow, Waste Coupling with Chain Plug or Automatic Popup Waste should be ordered separately for all Plain Bath Tubs.
- Stainless Steel Stand should be ordered separately when Plain Bath Tubs ordered with Front or Side Panels.



SIZE: 1650 x 700 x 600 MM

Fitting Shown is not a Part of Standard Bathtub



# DAZU

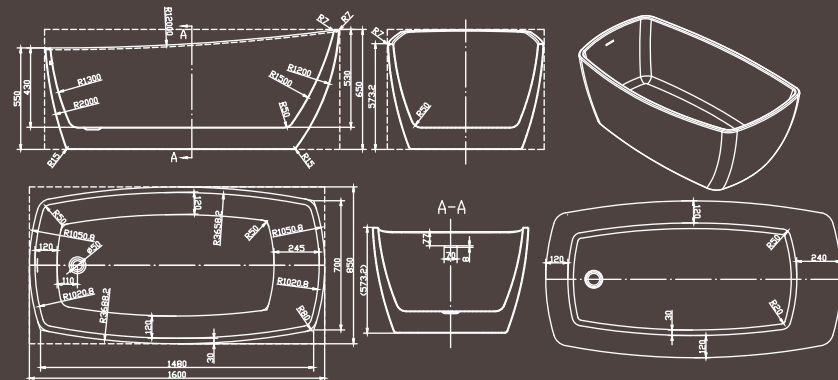


All accessories including jets can be changed without prior notice.

## FEATURES

Free Standing Acrylic Bathtub Fitted with Automatic Pop-up Waste

- Bath Tub Pillow, Waste Coupling with Chain Plug or Automatic Popup Waste should be ordered separately for all Plain Bath Tubs.
- Stainless Steel Stand should be ordered separately when Plain Bath Tubs ordered with Front or Side Panels.



## DRAWING & PRE-INSTALLATION

SIZE: 1600 X 850 X 650 MM

Fitting Shown is not a Part of Standard Bathtub

# VANITO

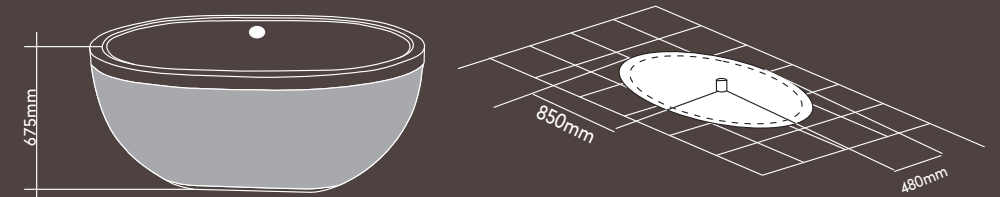


All accessories including jets can be changed without prior notice.

## FEATURES

Free Standing Acrylic Bathtub Fitted with Automatic Pop-up Waste

- Bath Tub Pillow, Waste Coupling with Chain Plug or Automatic Popup Waste should be ordered separately for all Plain Bath Tubs.
- Stainless Steel Stand should be ordered separately when Plain Bath Tubs ordered with Front or Side Panels.



## DRAWING & PRE-INSTALLATION

SIZE: 1695 X 960 X 690 MM

Fitting Shown is not a Part of Standard Bathtub